

THIS DRAWING IS UNPUBLISHED.  
 VERTRÄULICHE UNVERÖFFENTLICHTE ZEICHNUNG  
 RELEASED FOR PUBLICATION  
 FREI FÜR VERÖFFENTLICHUNG  
 2014  
 MATED WITH:  
 PASSEND ZU:  
 ALL RIGHTS RESERVED.  
 ALLE RECHTE VORBEHALTEN.

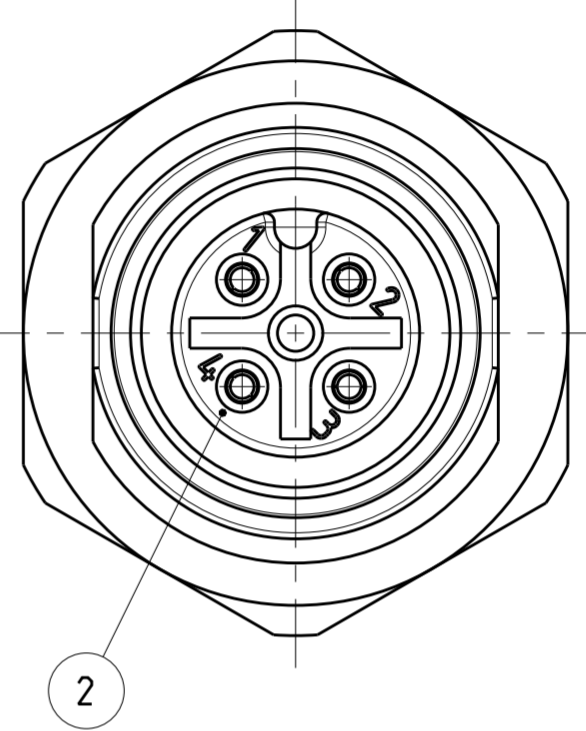
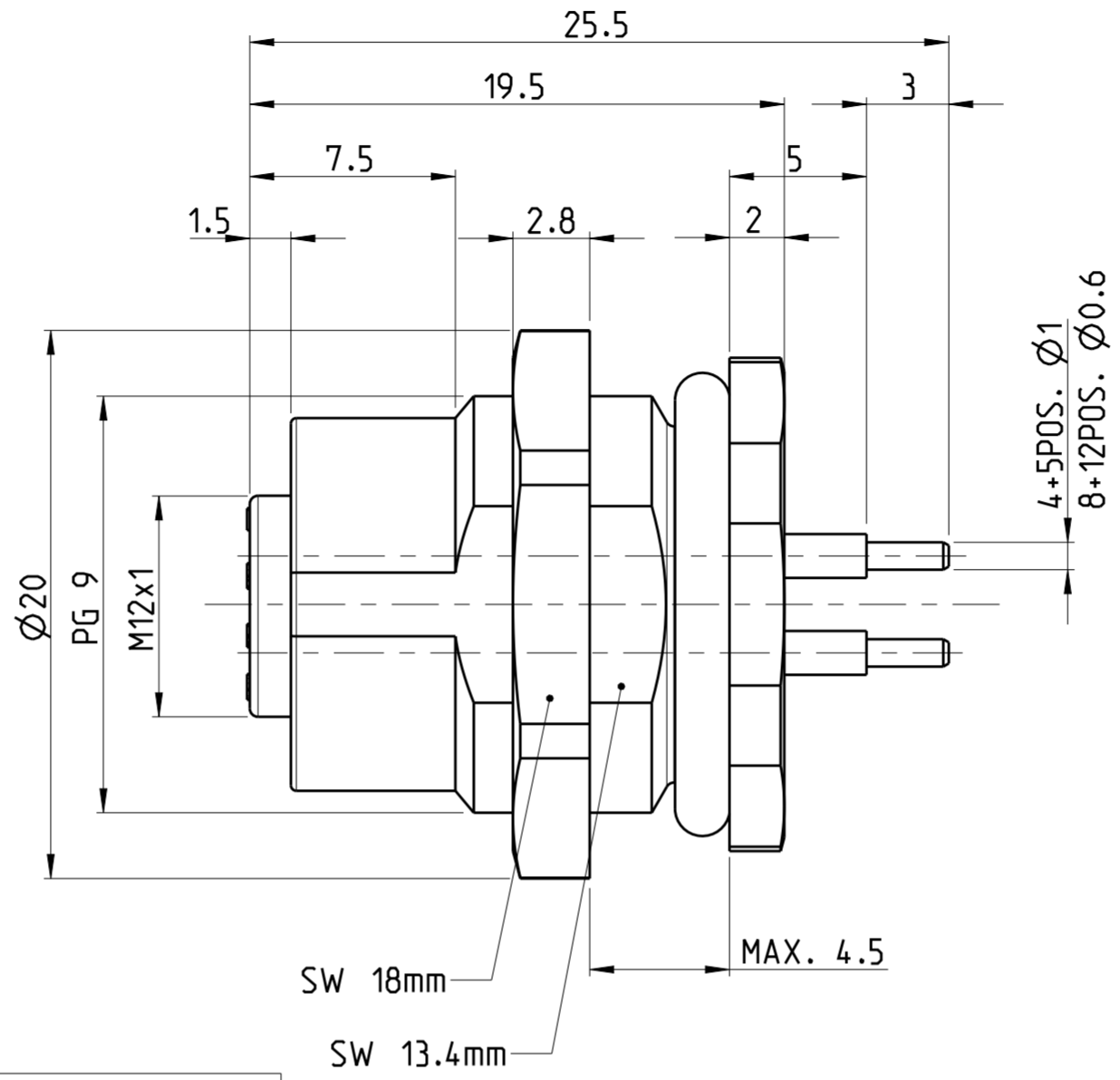
PROJEKT NR.:  
 PRJ-14-00000805

REVISIONS		DATE	DWN	APVD
P	LTR	DESCRIPTION		
A2		ADDED PCB LAYOUT IN DRAWING	20AUG2014	YR MB
A3		3-2271143-2 AND 4-2271143-2 DISCONTINUED	25SEP2017	TJ NG
A4		ECR-18-002621. CORRECT ERROR	27Feb2018	TF WC

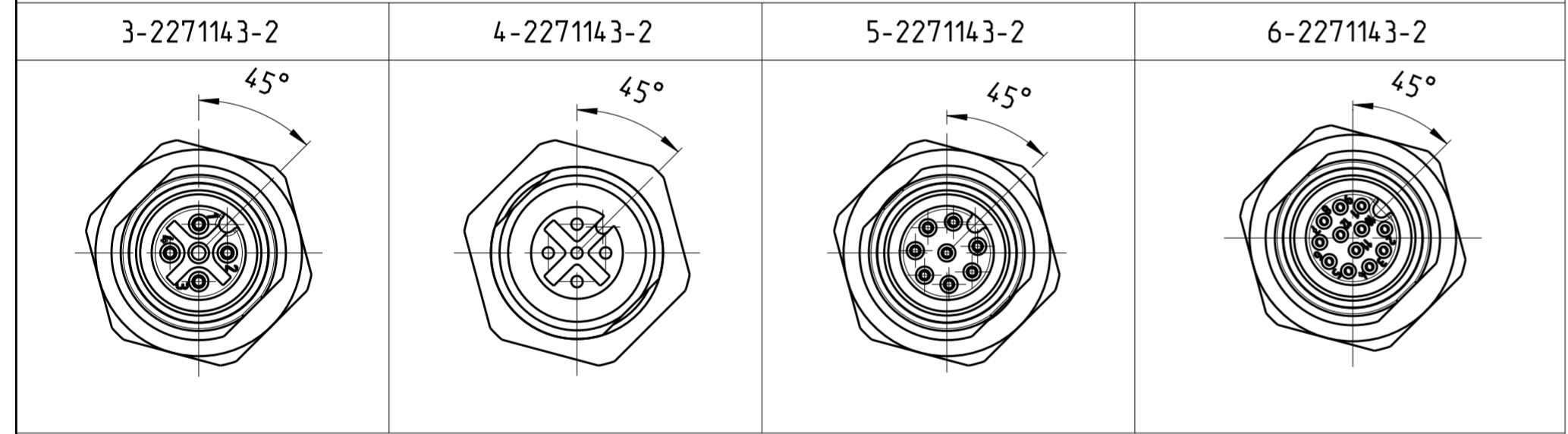
**MATERIAL:** ITEM NO. 1: HOUSING - ZINC DIECASTING, NICKEL PLATED  
 ITEM NO. 2: CONTACT BODY - PA  
 ITEM NO. 3: CONTACT - CuZn (BRONZE)  
 CONTACT FINISH - Au (gold)

**2** ALL DIMENSIONS ARE FOR NOMINAL REFERENCE ONLY UNLESS OTHERWISE STATED  
**3** **PACKAGING:** 20 PIECE IN A BAG

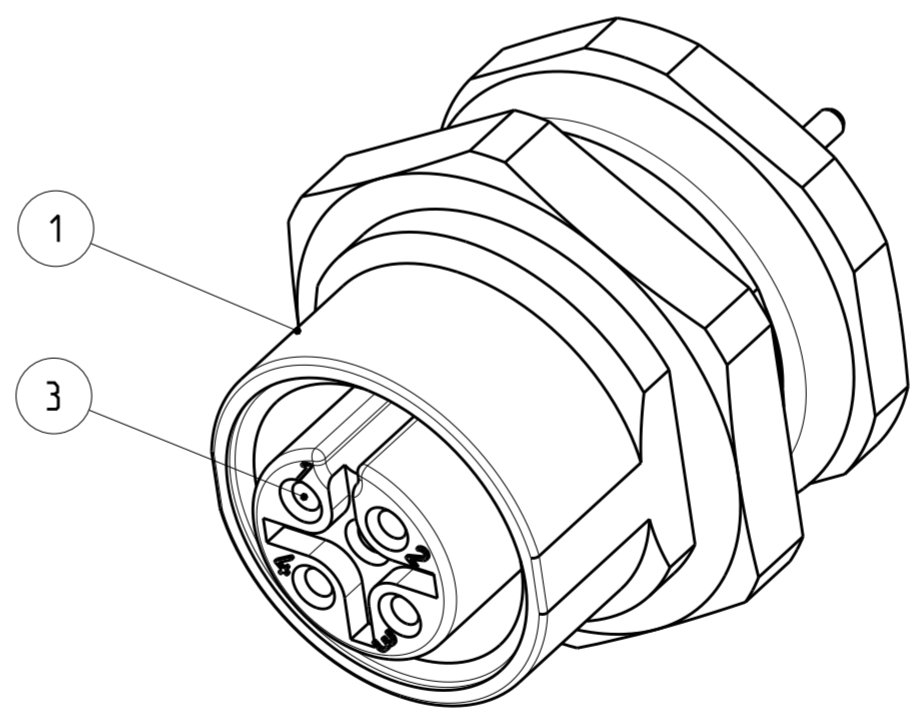
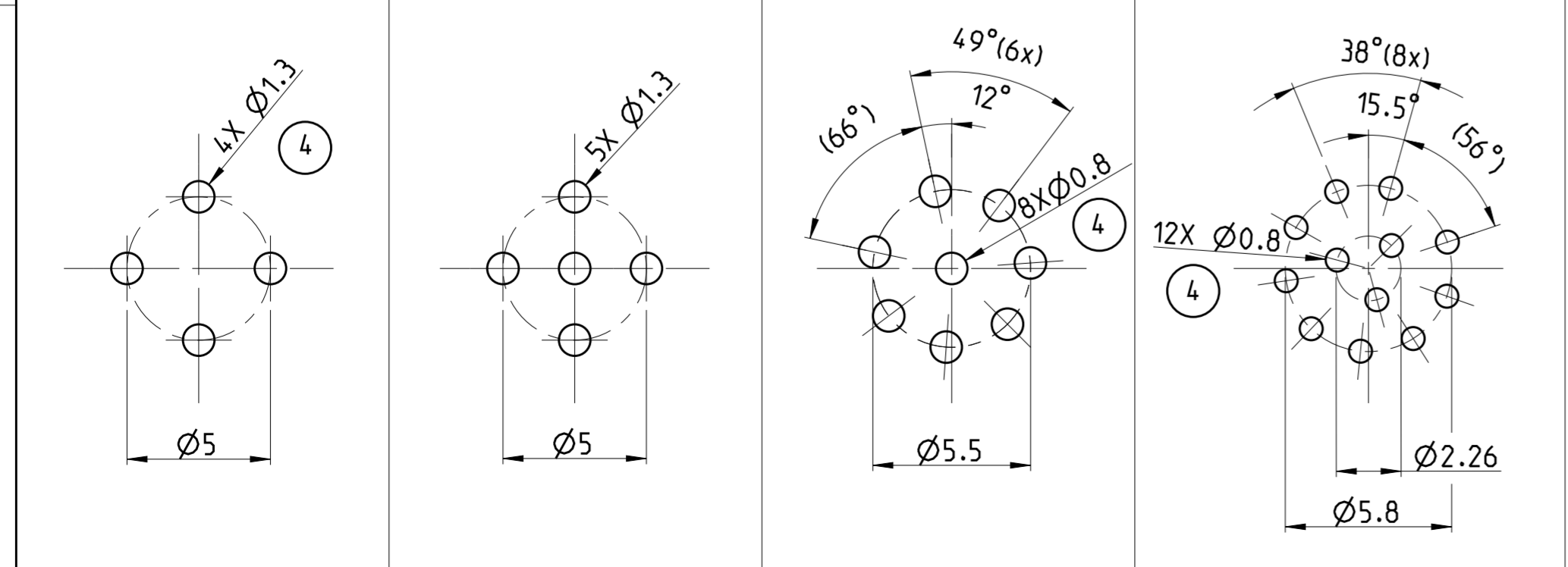
TECHNICAL DATA	3-2271143-2	4-2271143-2	5-2271143-2	6-2271143-2
RATED VOLTAGE	250V	125V	60V	30V
RATED IMPULSE VOLTAGE	2500V	1500V	800V	500V
POLLUTION DEGREE	3	3	3	3
OVERVOLTAGE CATEGORY	II	II	II	II
MATERIAL GROUP	II	II	II	II
RATED CURRENT	4A	4A	2A	2A
VOLUME RESISTIVITY	≤ 3mΩ	≤ 3mΩ	≤ 3mΩ	≤ 3mΩ
DEGREE OF PROTECTION	IP68	IP68	IP68	IP68
UPPER TEMPERATURE	+85 °C	+85 °C	+85 °C	+85 °C
LOWER TEMPERATURE	-40 °C	-40 °C	-40 °C	-40 °C



**PIN ARRANGEMENT**  
 A-CODING (SCALE 2:1)



**PCB LAYOUT**



SIZE ISO 14405 (E)

3-2 AS SHOWN  
 WIE GEZEICHNET

WIRES	MATERIAL	NUMBER OF POLES	TE-PART-NO.
24 / 0.25mm <sup>2</sup>	⚠	12	6-2271143-2
24 / 0.25mm <sup>2</sup>	⚠	8	5-2271143-2
24 / 0.25mm <sup>2</sup>	⚠	5	<del>4-2271143-2</del>
24 / 0.25mm <sup>2</sup>	⚠	4	<del>3-2271143-2</del>

DIESE ZEICHNUNG IST EIN KONTROLLIERTES DOKUMENT.  
 BEMASSUNGEN UND TOLERANZEN GEMAESS GPS (ISO STANDARDS).  
 THIS DRAWING IS A CONTROLLED DOCUMENT.  
 DIMENSIONING AND TOLERANCING PER GPS (ISO STANDARDS).  
 DIMENSIONS: MASSE IN MILLIMETERN (MM)  
 TOLERANCES UNLESS OTHERWISE SPECIFIED: ALLGEMEINTOLERANZEN  
 0 PLC ±  
 1 PLC ±  
 2 PLC ±  
 3 PLC ±  
 4 PLC ±  
 ANGLES/WINKEL ±  
 FINISH/OBERFLÄCHE/FARBE  
 MATERIAL SEE NOTES  
 SEE NOTES

DWN YASHKUMAR 15MAY2014  
 CHK M.STRELOW 15MAY2014  
 APVD C.SCHRETLINGER 15MAY2014  
 NAME M12 RECEPTACLE, FEMALE, PCB MOUNT, PANEL REAR, STRAIGHT, A-CODED  
 SIZE A2 CAGE CODE 00779 DRAWING NO. C-2271143  
 SCALE MASSSTAB 4:1 SHEET BLATT 1 OF 1 REV A4

